



**INSTALLATION GUIDE**  
Part Number GRM113086BLK/RED  
Last Updated 08/21/2024

# GRIMMSPEED 2022+ WRX PULLEY COVER INSTALL GUIDE



## **FITMENTS:**

- 2022+ Subaru WRX
- 2019+ Subaru Ascent

## **TOOLS NEEDED:**

- 10mm Socket and Ratchet
- 3mm Allen Wrench

## **THINGS TO NOTE:**

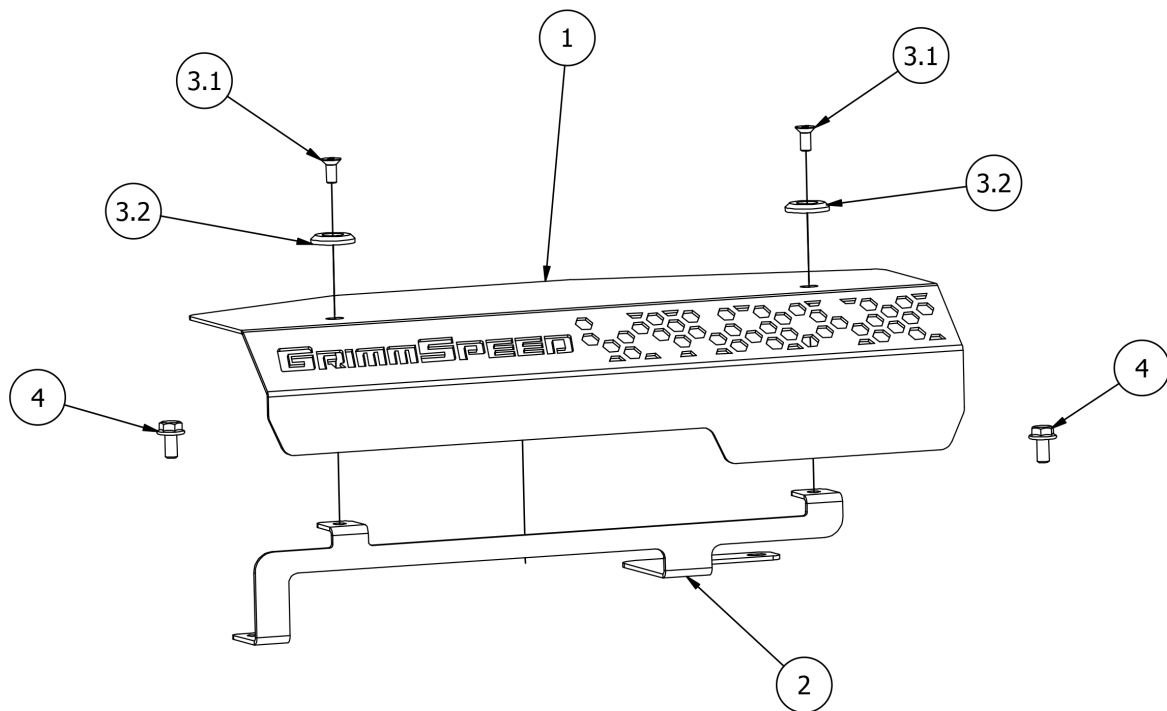
- This is a fairly basic installation and should only take 10-15 minutes to complete
- Be sure to follow recommended torque specs during the install.
- No ECU tuning or re-calibration is required after installation.

## PRODUCT DISCLAIMER:

United States 48 State Compliant:  
California/New York Residents please see Prop 65.

This is a Race Only product that is to be used solely for competition, it cannot be used on vehicles that are operated on public streets, roads or highways. Its use is limited to closed-course and open-course racing that is formally sanctioned by a recognized racing organization. Any other use including recreational use could be in violation of local, state and federal laws.

GrimmSpeed is not responsible for any vehicle damage or personal injury that may occur due to an installation error, product misuse, or removal of GrimmSpeed products. GrimmSpeed highly suggests that a trained professional conduct the installation on all products. GrimmSpeed is not responsible for damaged products due to incorrect installation.



## COMPONENTS INCLUDED:

Item	Quantity	Part Number	Description
1	1	GS-113084BLK/RED	GrimmSpeed Pulley Cover
2	1	GS-113085	GrimmSpeed Pulley Cover Mounting Bracket
3.1	2	GS-113097A	M5x0.8 Flat-Head Screw
3.2	2	GS-113097B	GrimmSpeed Dress-Up Washer
4	2	B02036	M6x1.0-12mm JIS Bolt - Clear Zinc Plated

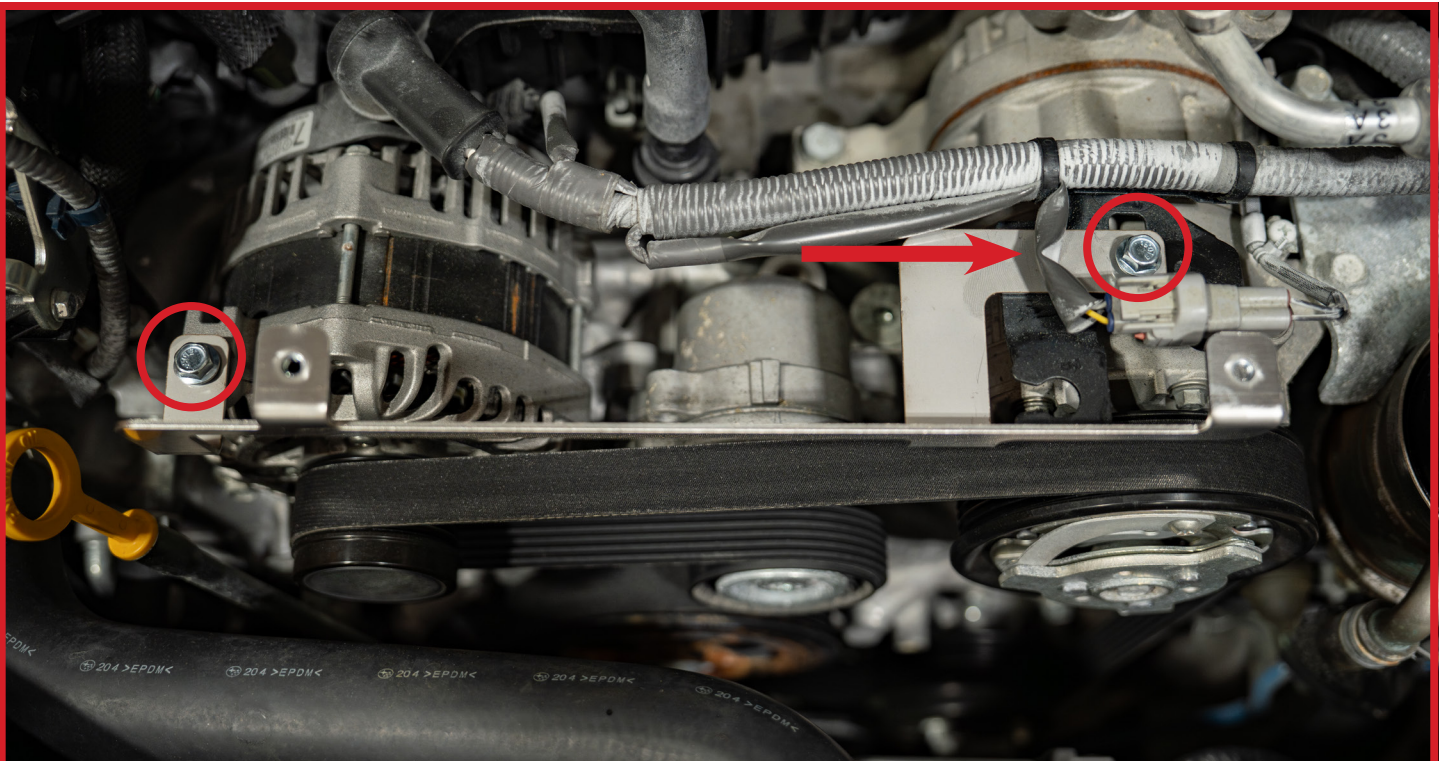
## BEFORE YOU BEGIN:

Turn off the ignition. Loosen battery terminal and disconnect the negative battery terminal cable. Allow the vehicle to sit for a minimum of 5 minutes to drain any remaining charge from the charging system.

- 1** Start by removing the 10mm bolt securing the factory pulley cover to the alternator as well as the bolt securing the wiring bracket on top of the AC compressor. You should now be able to remove the factory cover by pulling straight up to pop it out of the rubber grommet on the AC Compressor Bracket.



- 2** With the factory cover out of the way, you can now install the GrimmSpeed Pulley Cover Mounting Bracket included in your kit. Slip the bracket under the wiring connector for the AC Compressor and secure it in place with the two M6x12 bolts included in your Pulley Cover kit. Torque these bolts to 12 ft/lbs.



- 3** With the Mounting Bracket in place, rest your GrimmSpeed Pulley Cover over the bracket and align the mounting holes in the cover with the threaded inserts in the bracket. Using a 3mm allen wrench, Secure the Cover to the Bracket with the included M5 Bolts and GrimmSpeed Dress-Up Washers. Tighten these bolts down fully to 7.5 ft/lbs.



- 4** Once those two allen bolts are tightened, your Pulley Cover is installed. Reconnect your vehicle's battery and enjoy the upgraded aesthetics of your engine bay!





1400 Randall Ct, Unit 104  
Export, PA 15632  
612-379-0000  
support@grimmspeed.com

[www.grimmspeed.com](http://www.grimmspeed.com)

Follow us!  
@grimmspeed

